



Revision #3
July 12th, 2015

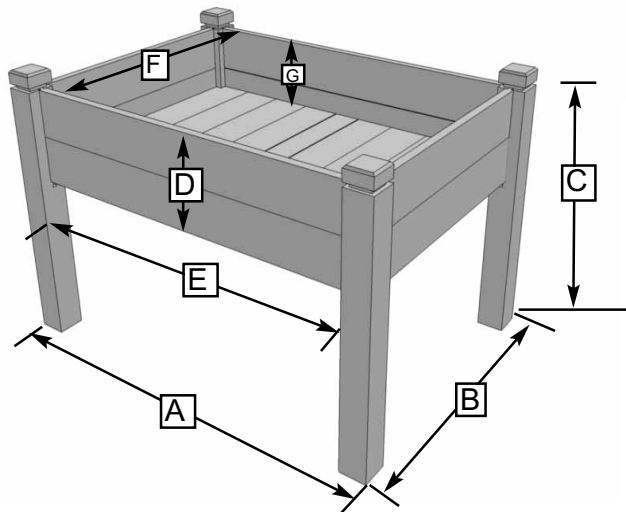
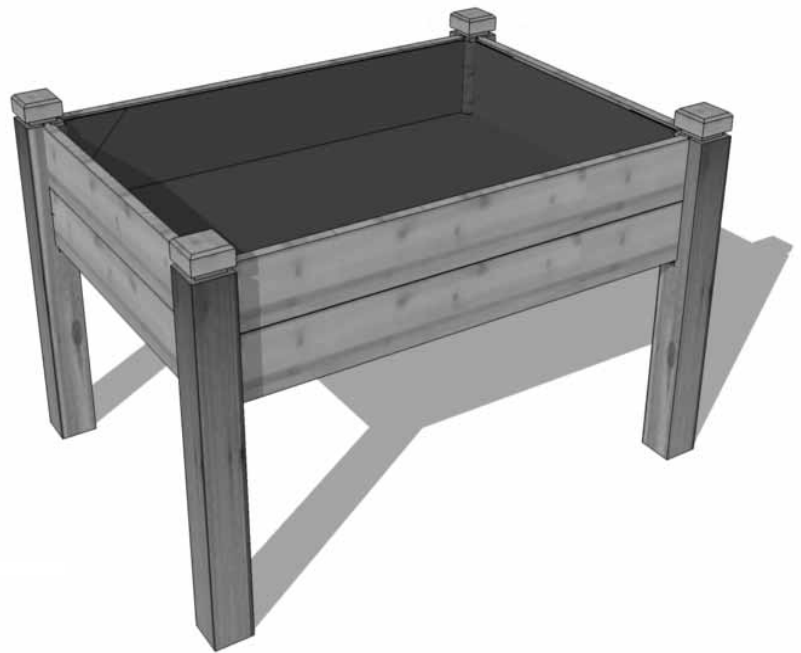
4'X3' Elevated Garden Bed Assembly Manual

Thank you for purchasing a 4' x 3' Elevated Garden Bed. Please take the time to identify all the parts prior to assembly.

Safety Points and Other Considerations

Please follow this instruction manual when assembling your Elevated Garden Bed and retain the manual for future maintenance purposes.

Please use safety eyewear and gloves while assembling. Be sure to read and follow all operating instructions for any tools used during assembly. Remember - NO SAW CUTTING IS REQUIRED!



Elevated Garden Bed Dimensions:

- A: Outside Width = 52"
- B: Outside Depth = 38"
- C: Outside Height = 33"
- D: Outside Height of Bed = 10 3/4"
- E: Inside Width = 47"
- F: Inside Depth = 33"
- G: Inside Depth of Bed = 8"

Estimated Assembly Time for the
Elevated Garden Bed = 30 Min.

In the event of a missing or broken piece, simply call the Outdoor Living Today Customer Support Line @ 1-888-658-1658 within 30 days of the delivery of your purchase. It is our commitment to you to courier replacement parts, free of charge, within 10 business days of this notification. Replacement parts will not be provided free of charge after the 30 day grace period.

Parts List for 4'x3' Elevated Garden Bed

Parts List

Part A - Legs

4 pcs - 3 1/2" x 3 1/2" x 31" high

Part B - Lower Front/Rear Bed Frame with Bottom Cleat

2 pcs - 1" x 5 3/8" x 46"

Part C - Lower Side Bed Frame with Bottom Cleat

2 pcs - 1" x 5 3/8" x 32"

Part D - Upper Front/Rear Bed Frame

2 pcs - 1" x 5 3/8" x 46"

Part E - Upper Side Bed Frame

2 pcs - 1" x 5 3/8" x 32"

Part F - Outside Bed Bottom Pieces - Notched Corners

2 pcs - 1" x 5 3/8" x 33 3/8"

Part G - Mid Bed Bottom Pieces

6 pcs - 1" x 5 3/8" x 33 3/8"

Part H - Center Bed Bottom Piece

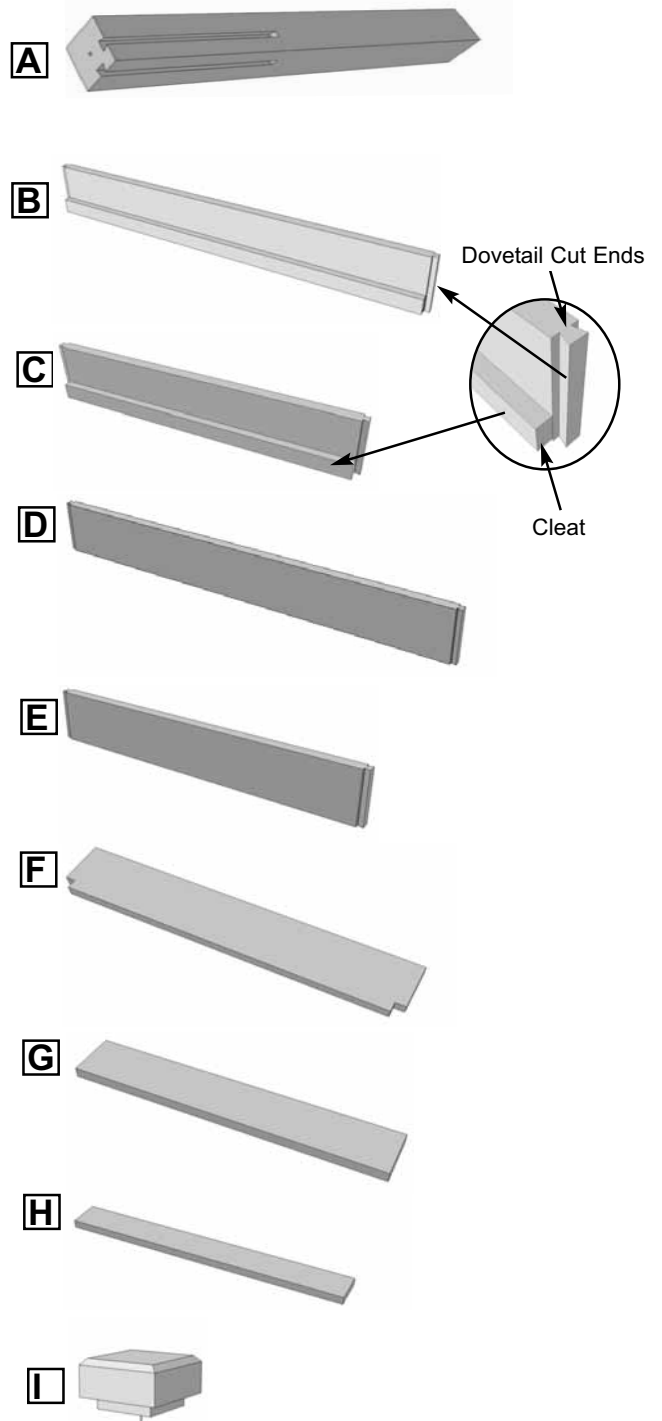
1 pc - 1" x 3 1/2" x 33 3/8"

Part I - Top Post Caps with Screws

4 pcs - 3 1/2" x 3 1/2" x 2" high

Part J - Landscape Cloth (45 degree cut in corners)

1 pc - 48" x 62"



J

Tools & Safety Equipment Required (Not Provided)



Safety Glasses



Work Gloves



Staple Gun



Tape Measure



Level

Important Information for Homeowner

Important - Once Elevated Garden Bed is fully assembled, it will be difficult to move!

Be thoughtful when selecting a location - garden setting or patio.

Walk around your property and make notes of the following:

- sunny spots
- slope of the land
- light blocking trees and high buildings.

Don't hide your Elevated Garden Bed away in a dark corner. Ensure you have easy access to it. Having a water supply at hand avoids carrying heavy watering cans from the tap to the bed.

Once the Elevated Garden Bed is Assembled - Add Soil

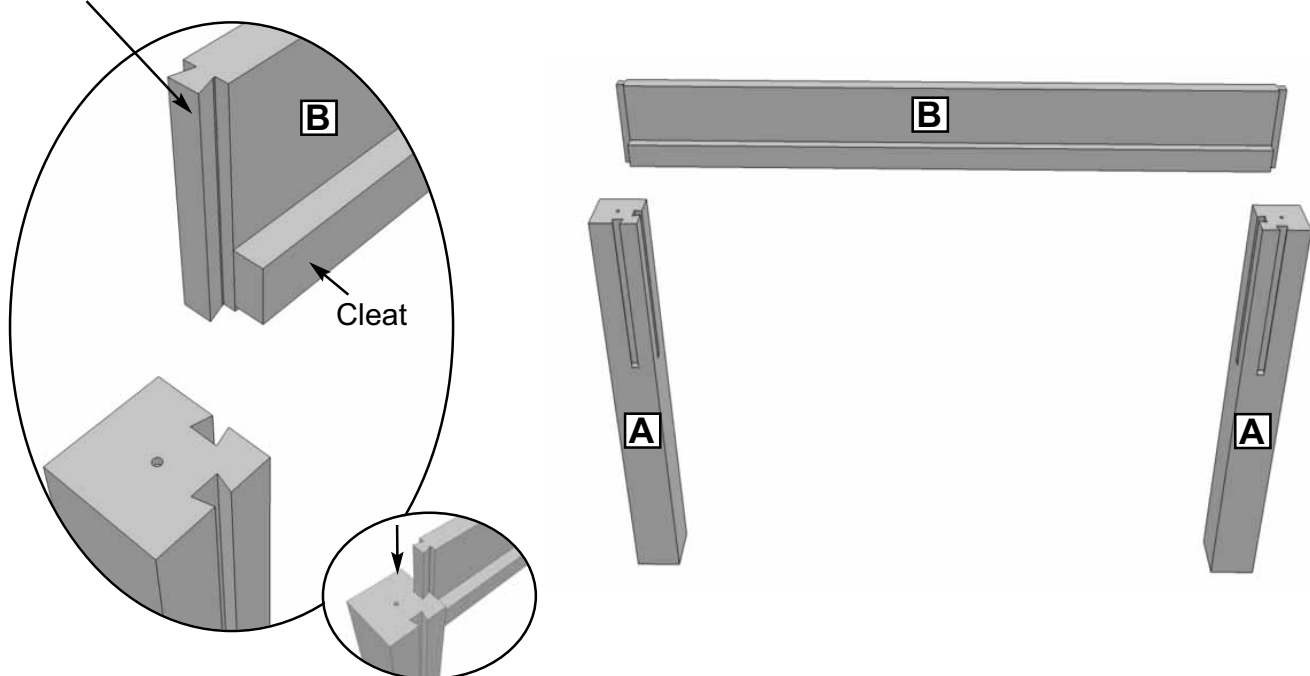
Use a quality soil ideal for growing and cultivating vegetables and flowers. The bed will take 7 cubic feet of soil (7 - 40 lb bags) or a 1/4 cubic yard.

When wet, soil weighs approximately 80 lbs a cubic foot therefore your bed will weigh around 600 lbs. after watering.

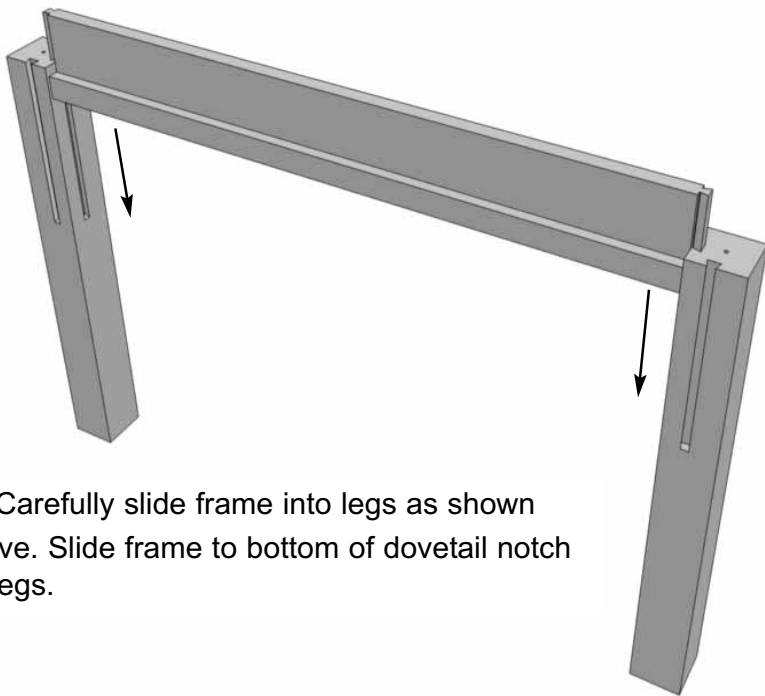
Most 1/2 ton pickup trucks can haul 1 cubic yard of top soil if this is an option for you. For cost savings, having soil delivered as opposed to buying bags by the cubic foot.

Fill the Elevated Garden Bed to the top of the wood framing. In a few weeks, the soil will settle/drop about 4-6 inches. Top up if necessary. Add soil within two weeks of planting. Fertilizer may be required. Check with your local garden growing expert before adding any fertilizer!

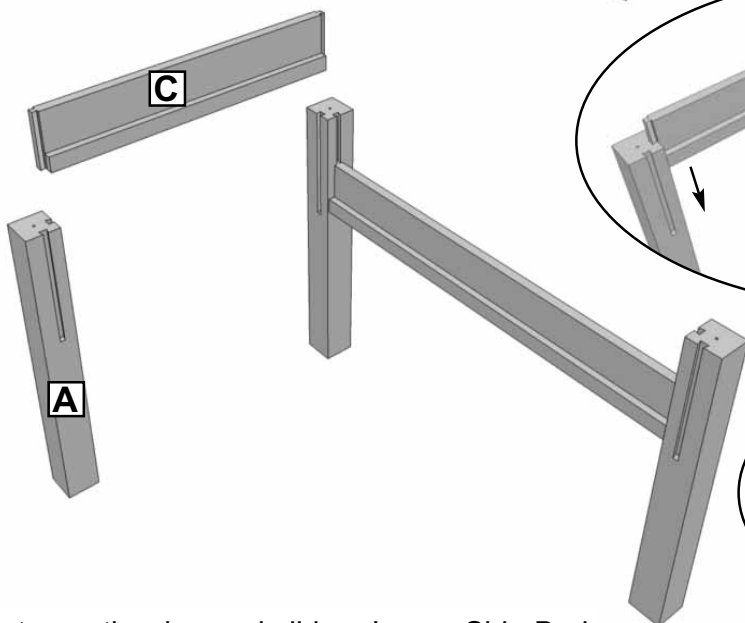
Dovetail cut ends



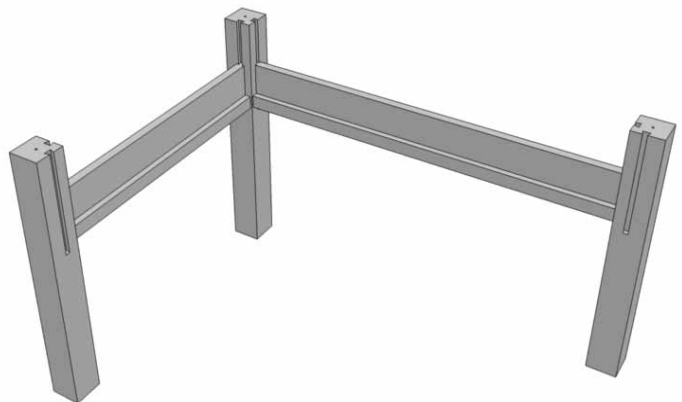
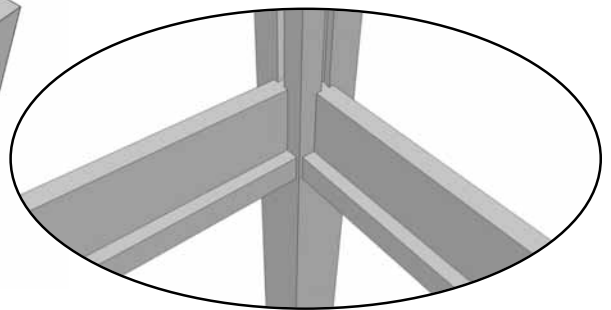
1. Locate 2 Legs (**Part A** - 3 1/2" x 3 1/2" x 31" h) and 1 Lower Front/Rear Bed Frame with Bottom Cleat attached (**Part B** - 1" x 5 3/8" x 46"). Orientate legs so dovetail cut of frame slides into reverse cut on legs. Carefully slide frame into legs as shown above.

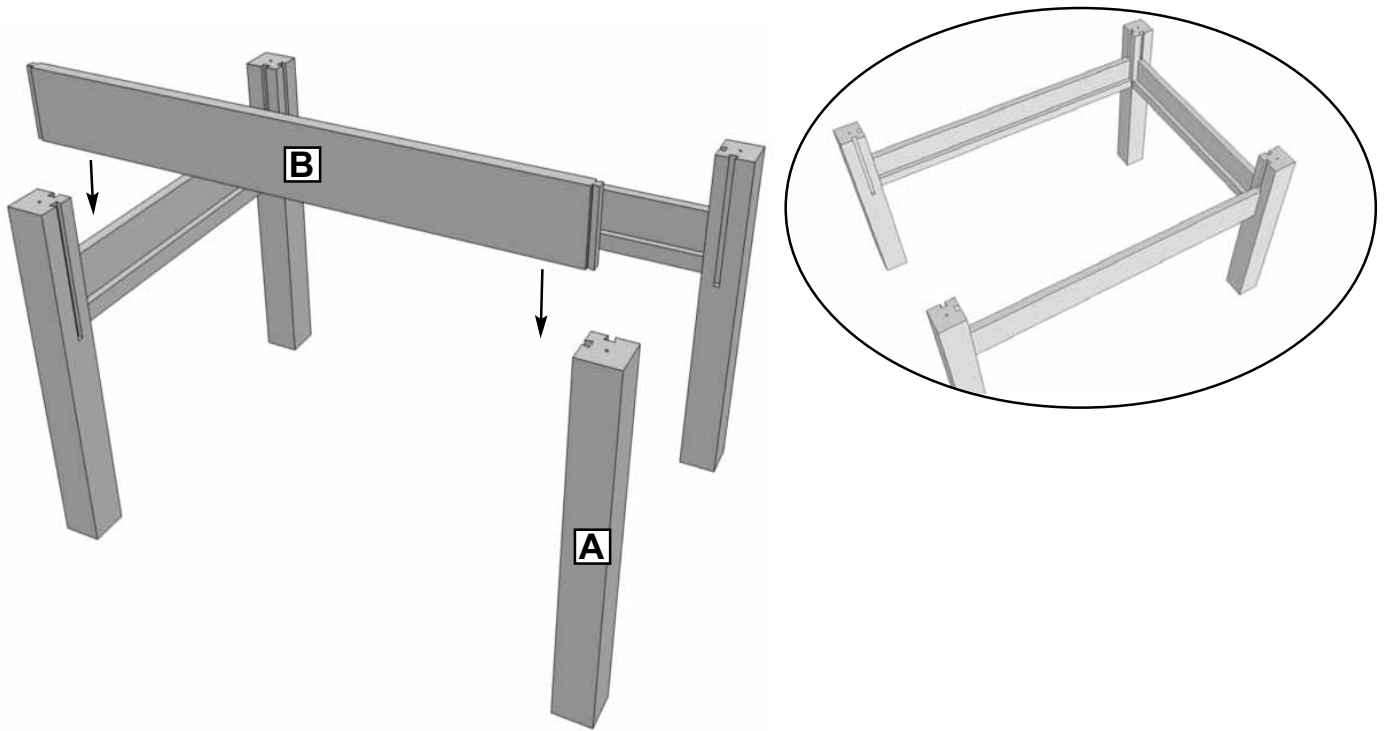


2. Carefully slide frame into legs as shown above. Slide frame to bottom of dovetail notch on legs.

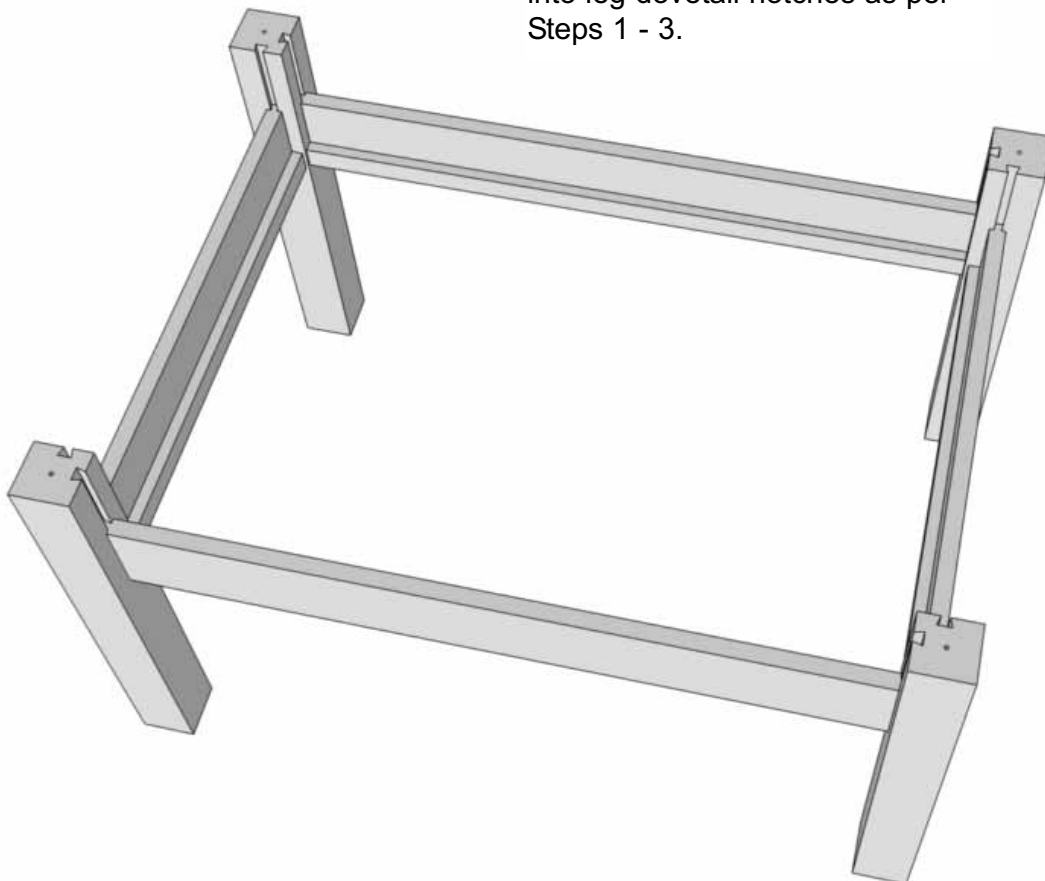


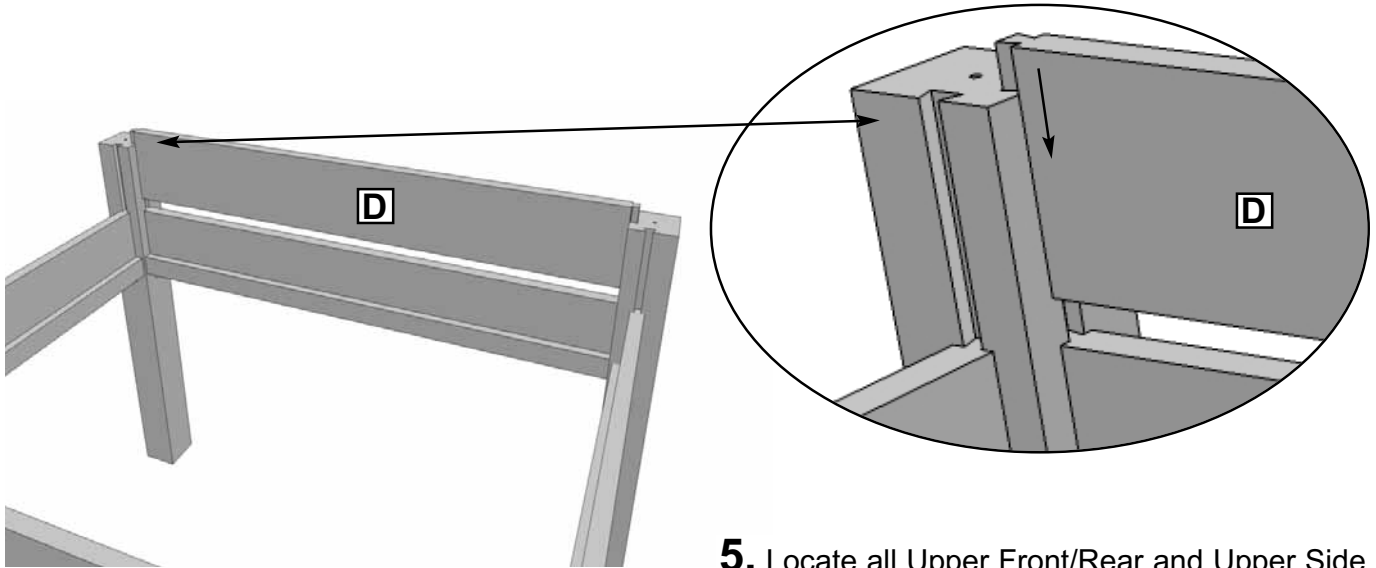
3. Locate another leg and slide a Lower Side Bed Frame with Bottom Cleat attached (**Part C** - 1" x 5 3/8" x 32") so dovetail cut of frame slides into reverse cut on legs as per Step 1. Carefully slide frame into legs as shown above.



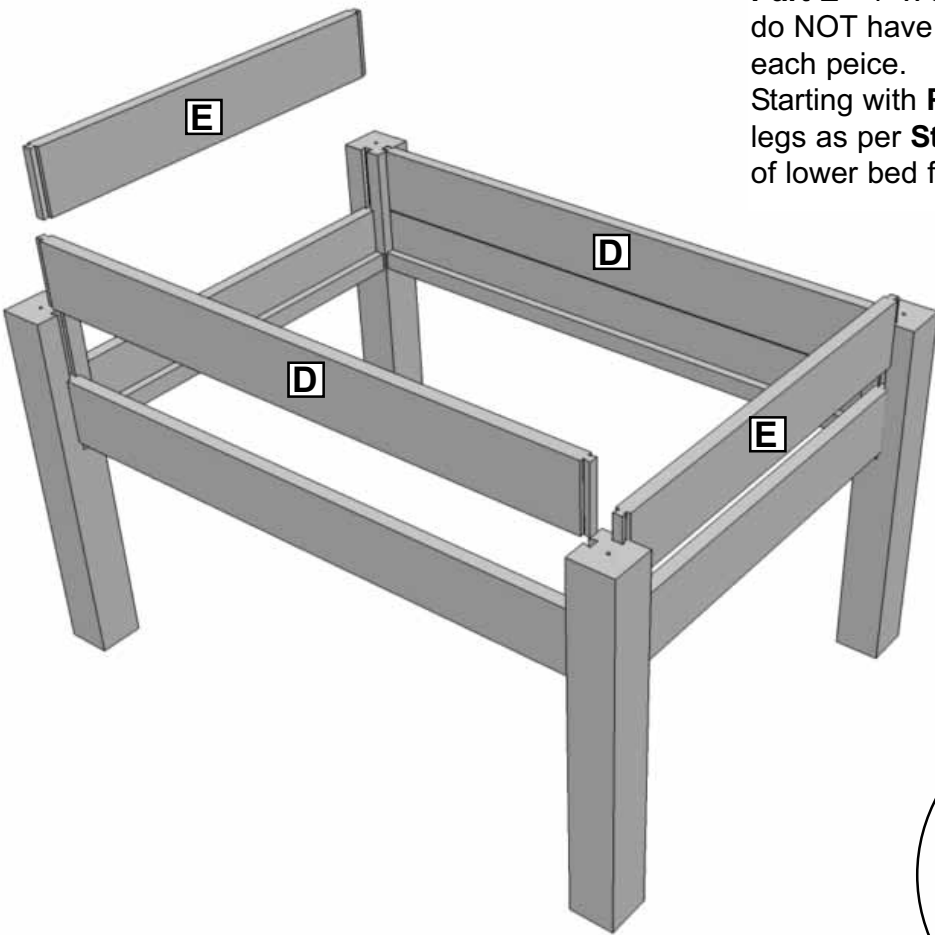


4. Locate the final leg and remaining lower bed frames (**Parts B & C**). Slide both pieces into leg dovetail notches as per Steps 1 - 3.

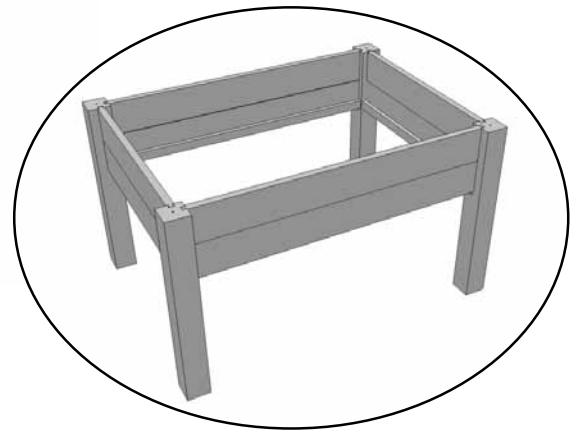


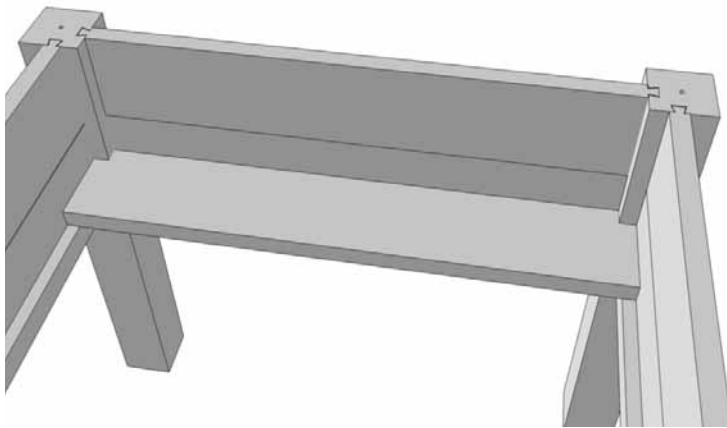
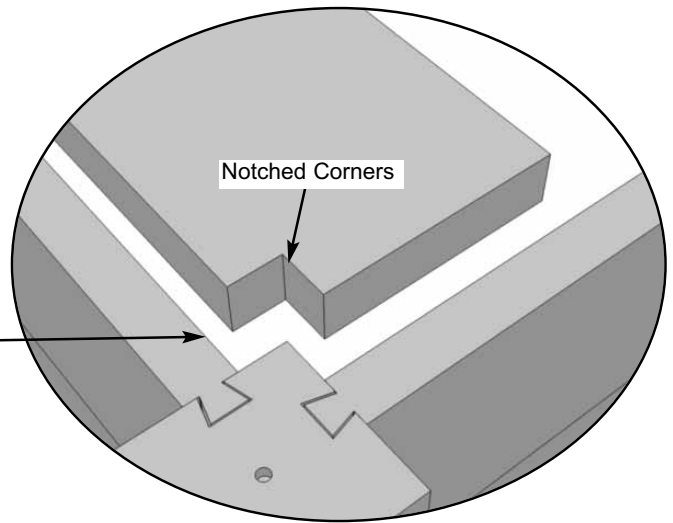
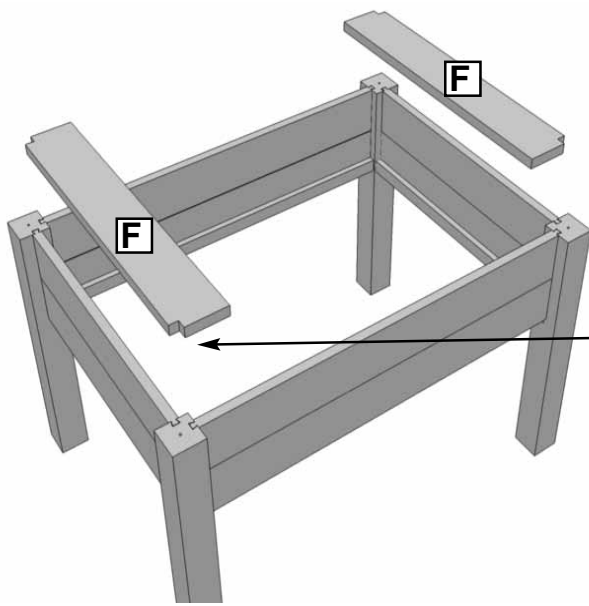


5. Locate all Upper Front/Rear and Upper Side Bed Frame pieces (**Part D** - 1" x 5 3/8" x 46" & **Part E** - 1" x 5 3/8" x 32"). **Note:** Upper pieces do NOT have cleat attached to inside bottom of each piece. Starting with **Part D**, carefully slide frame into legs as per **Steps 2 & 3**. Slide frame to bottom of lower bed frame.

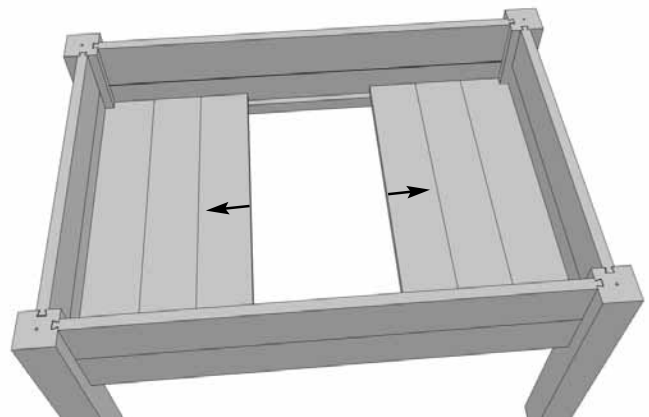
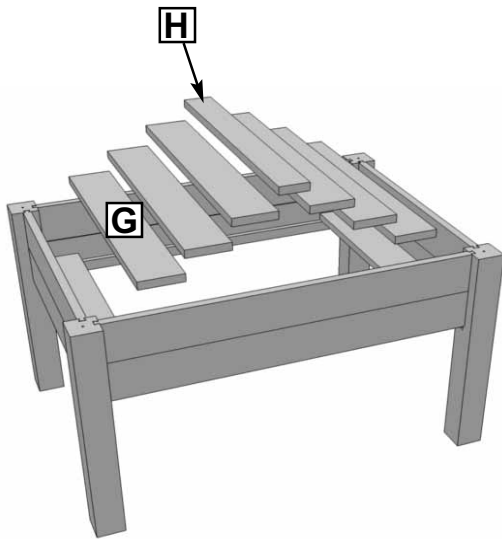


6. Complete remaining Upper Front/Rear and Side Bed Frames.

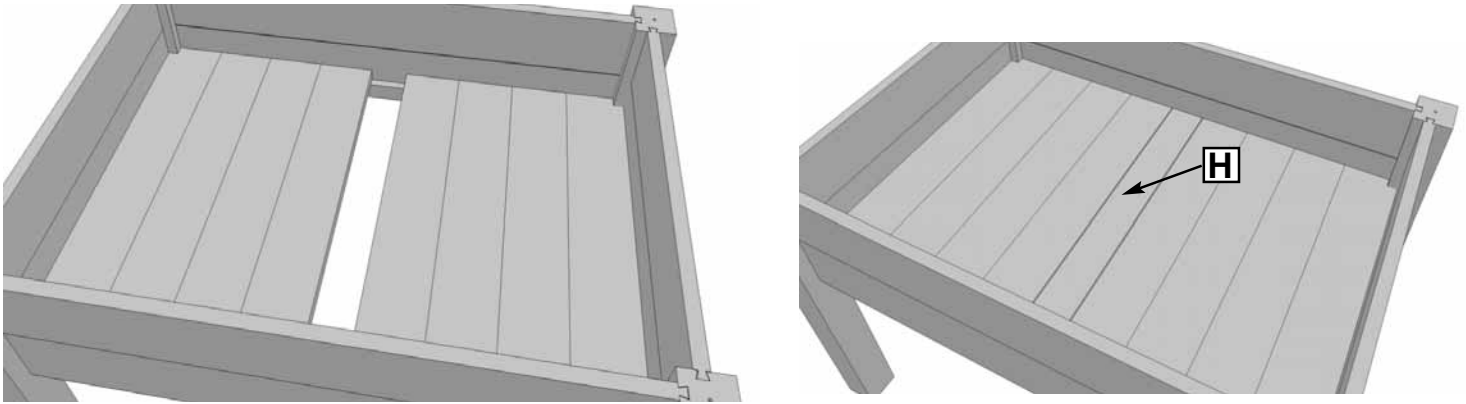




7. Locate both Outside Bed Bottom Pieces (**Part F** - 1" x 5 3/8" x 33 3/8") with notched corners. Position with notch in each corner flush on frame cleats and against bed framing. Position both sides.

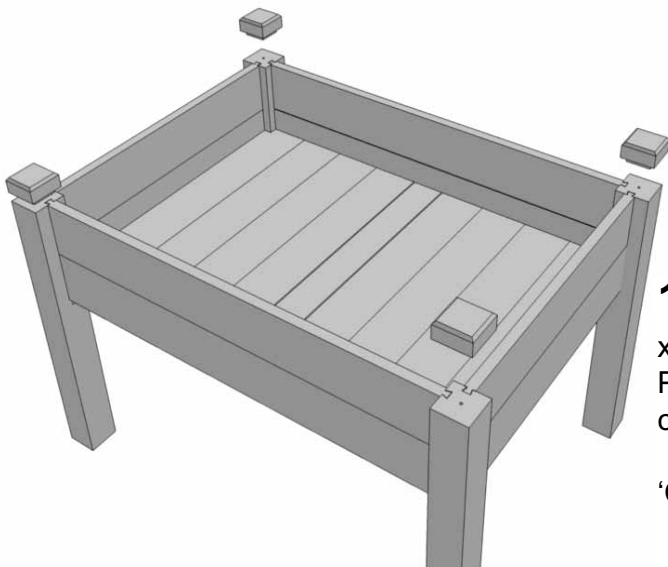
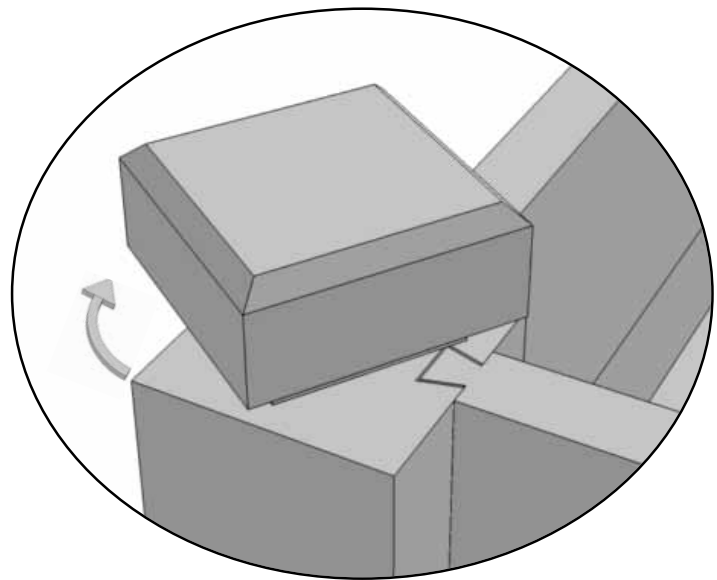
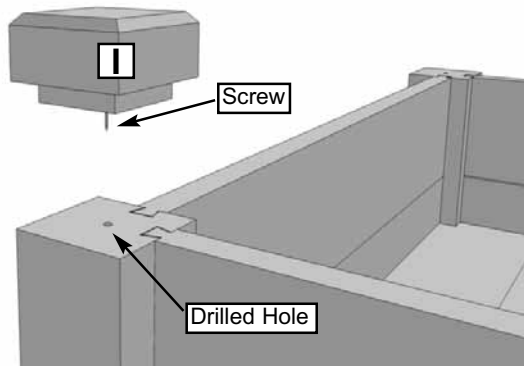


8. Locate remaining Bed Bottom Pieces - Mid & Center (**Part G** - 1" x 5 3/8" x 33 3/8" x 6 pcs. and **Part H** - 1" x 3 1/2" x 33 3/8" x 1 pc.). Position mid bottoms on frame cleats as shown above.



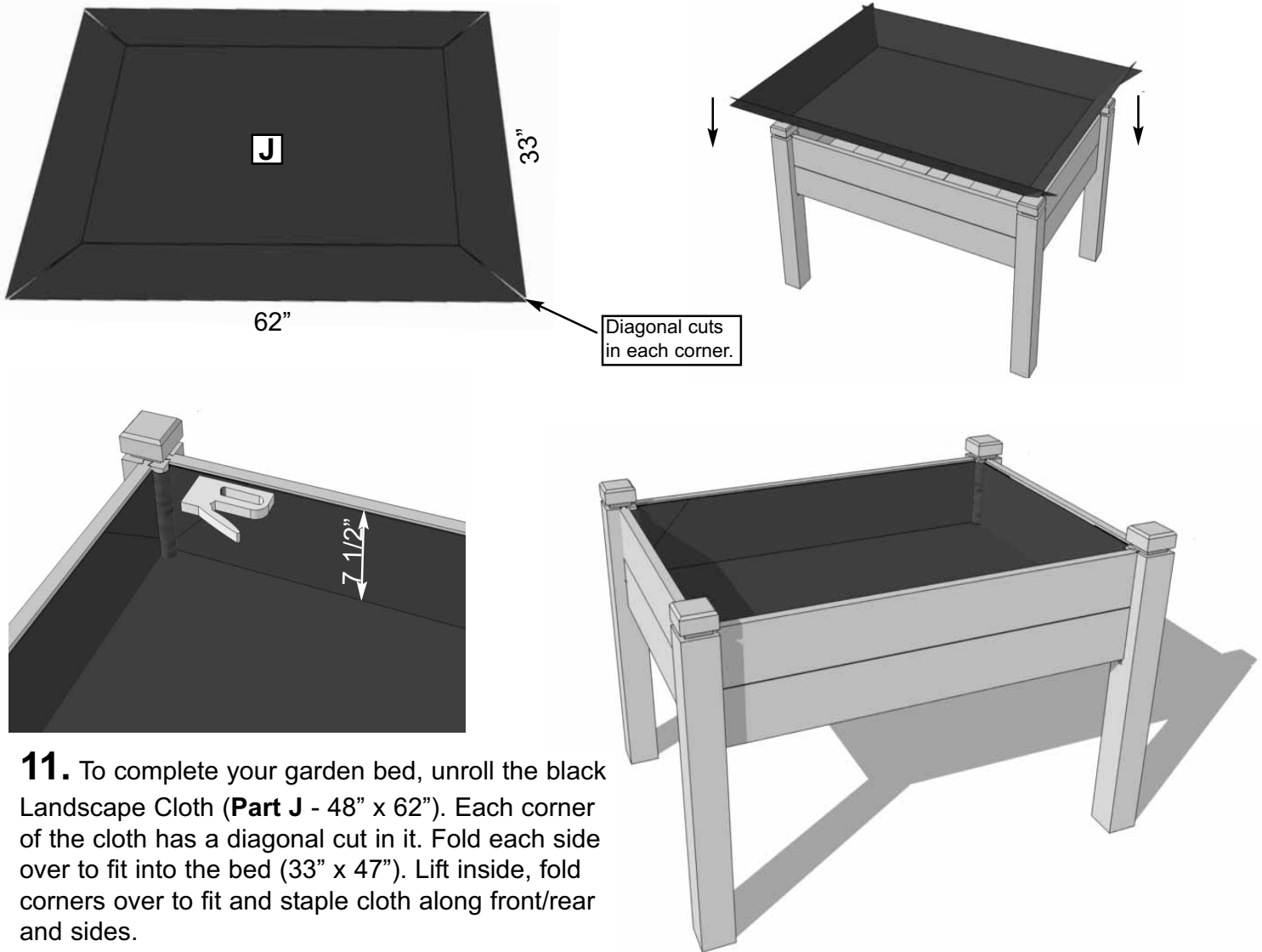
9. Place Center Bed Bottom in remaining gap.

Note: There is no need to attach bed bottom pieces to bed frame cleating.



10. Locate Top Post Caps (**Part I** - 3 1/2" x 3 1/2" x 2" x 4 pcs.). Post Caps have screw attach in bottom center. Position post cap screw into drilled hole of leg and carefully screw the cap into the leg until tight.

'Complete remaining 3 top cap assemblies.



11. To complete your garden bed, unroll the black Landscape Cloth (**Part J** - 48" x 62"). Each corner of the cloth has a diagonal cut in it. Fold each side over to fit into the bed (33" x 47"). Lift inside, fold corners over to fit and staple cloth along front/rear and sides.

We hope your experience assembling our **4'x3' Elevated Garden Bed** has been both positive and rewarding. We value your feedback and would like to hear back from you on how well we are doing in the following areas:

1. **Customer Service**
2. **On Time Shipping**
3. **Freight Delivery**
4. **Quality of Materials**
5. **Assembly Manual**
6. **Overall Satisfaction.**



The materials contained in this Assembly Manual may be downloaded or copied provided that ALL copies retain the copyright and any other proprietary notices contained on the materials. No material may be modified, edited or taken out of context such that its use creates a false or misleading statement or impression as to the positions, statements or actions.

Please call, write or email us at:

Canadian Address
 9393 287th Street
 Maple Ridge, British Columbia
 Canada V2W 1L1

United States Address
 P.O. Box 96
 Sumas, Washington
 USA 98295